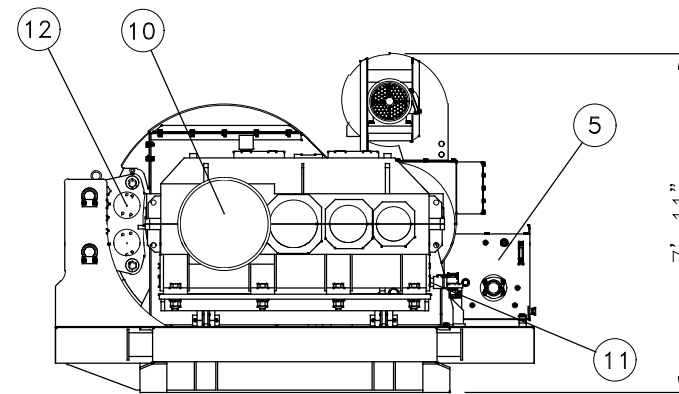
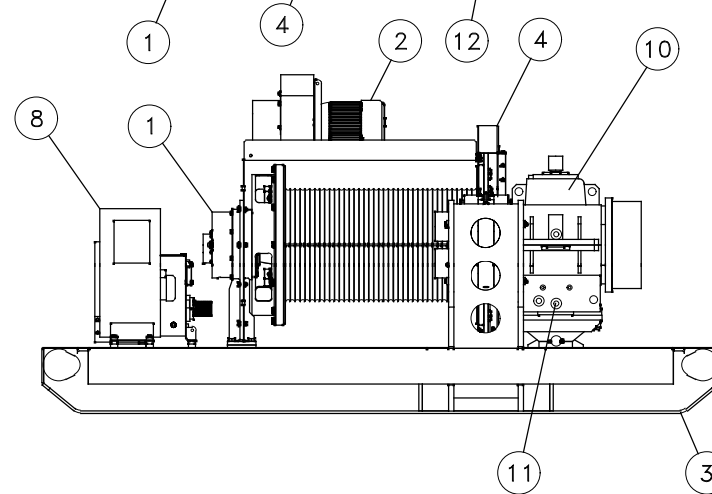
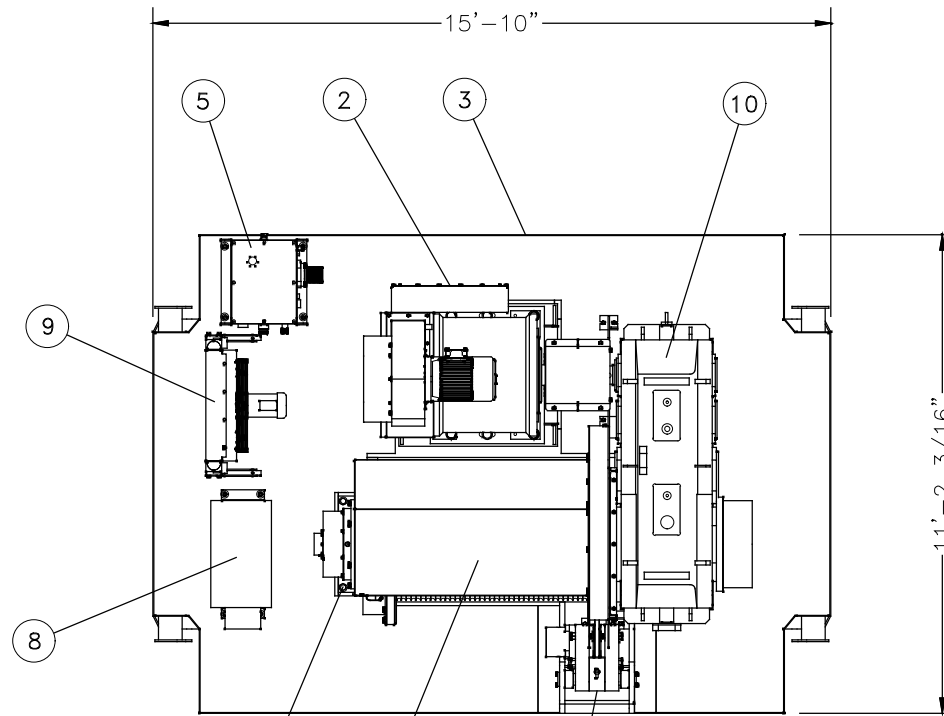
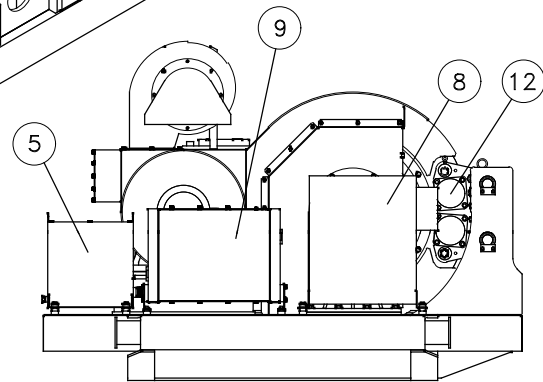
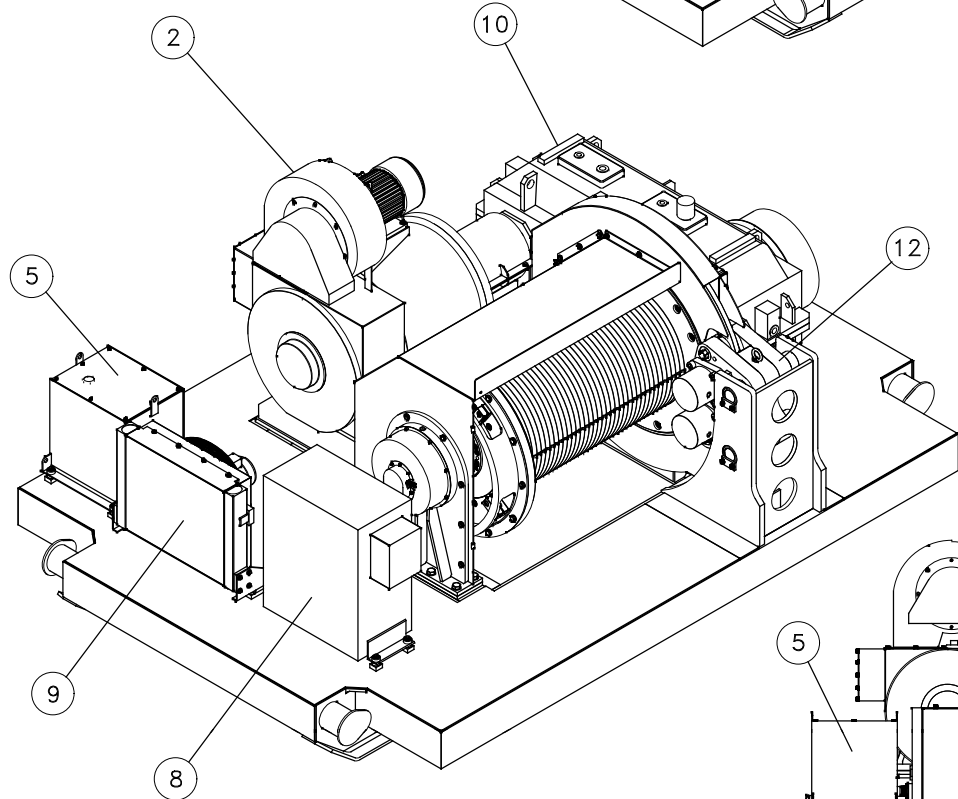
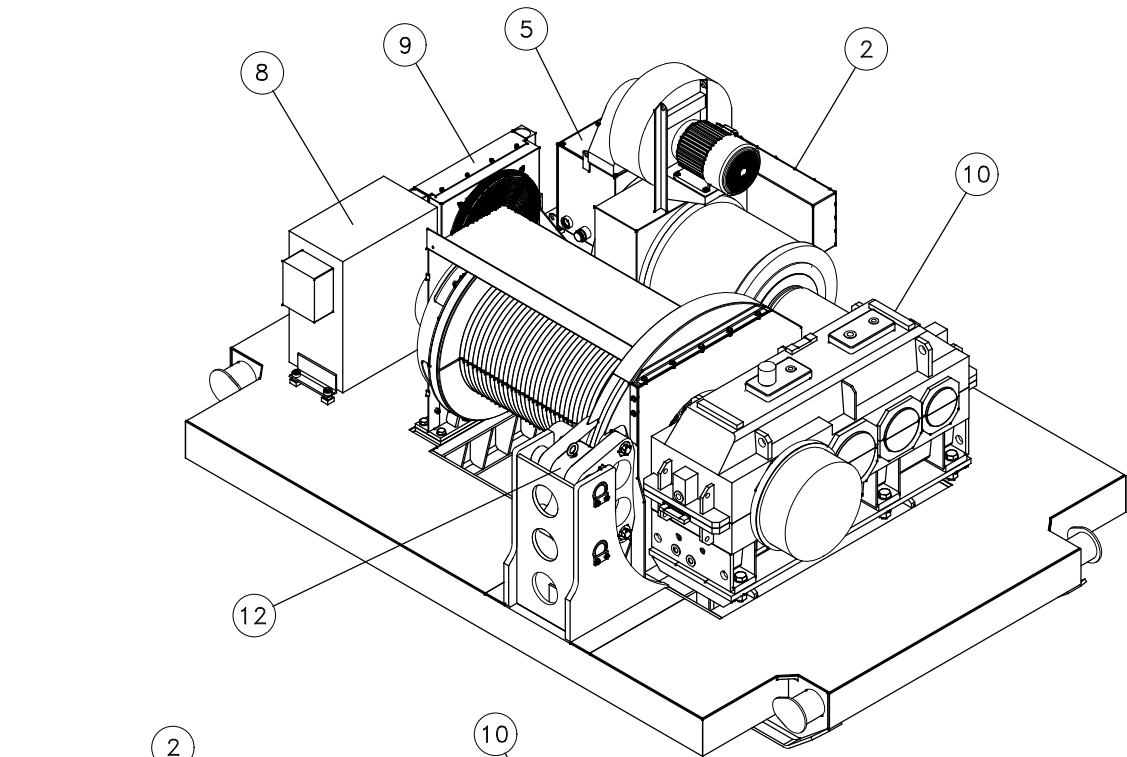


ANY QUESTIONS ASK



BILL OF MATERIAL			
ITEM NO.	QTY.	AMC PART NUMBER	DESCRIPTION
1	1	604100	ASSEMBLY, DRUM, SHAFT AND PEDISTAL
2	1	604125	ASSEMBLY, MOTOR AND MOUNTING BASE PLATE
3	1	604150	ASSEMBLY, BASE FRAME SKID
4	1	604175	ASSEMBLY, DWKS COVER AND GUARDS
5	1	604200	ASSEMBLY, OIL SUMP TANK
6	2	604225	ASSEMBLY, MOUNT, OIL FILTER
7	1	604250	ASSEMBLY, PUMP-MOTOR
8	1	604275	ASSEMBLY, HPU, JOHNSON INDUSTRIES HL112SR
9	1	604300	ASSEMBLY, OIL COOLER, AKG AC-70
10	1	604400	GEARBOX, 10:1, HOLLOW OUTPUT SHAFT, FLENDER K3DH 117
11	2	604401	HEATER, IMMERSION
12	1	604406	BRAKE CALIPER, SPRING APPLIED-HYD RELEASE, LH, C BASE, JHONSON INDUSTRIES DS2040-09

**PRELIMINARY**

UNLESS OTHERWISE SPECIFIED  
ALL DIMENSIONS ARE IN INCHES  
THE FOLLOWING TOLERANCES ARE APPLICABLE

DIMENSION	OVER	TO	MACHINED	WELDED STRUCTURE
0	1.5		±.008	±1/32
1.5	7.0		±.010	±1/32
7.0	20.0		±.020	±1/16
20.0	60.0		±.030	±1/8
60.0	120.0		±.060	±3/16
120.0	240.0		±.080	±1/4
ANGLES			±0.1°	±0.5°

BREAK ALL CORNERS .06 X 45°. MACHINE FINISH 125 MAX.  
MACHINED DIAMETERS ON SAME CENTERLINE SHALL BE COAXIAL WITHIN .002. DRILLED HOLE LOCATION ±0.005  
CHAMFER ALL TAPPED HOLES 45° TO FIRST THREAD ROOT.  
DIMENSIONS MARKED ( ) ARE FOR GENERAL REFERENCE ONLY, NOT TO BE USED FOR CONSTRUCTION.

MAT'L: SEE BOM  
FINISH:  
ESTIMATED WEIGHT: 63,000 LBS  
FROM ASSEMBLY:  
**DO NOT SCALE DWG**

**WELDING NOTE**  
UNLESS OTHERWISE NOTED, ALL ACCESSIBLE CONTACT SURFACES ARE TO BE JOINED WITH CONTINUOUS 45° FILLET WELDS. WELD SIZE TO BE 1/16" SMALLER THAN LIGHTER MEMBER OF JOINT UP TO 5/16" THICKNESS AND 1/8" SMALLER THAN LIGHTER MEMBER OF JOINT UP TO 3/4" THICKNESS

NO.	DATE	BY	CHKD	APPR	DESCRIPTION
A	03/15/08	DLF	T.T.	E.O.	FIRST ISSUE

**APPLIED MACHINERY CORP.** Applied Machinery Corp  
18734 E. Hardy Rd.  
Houston, Tx. 77073  
PH# (281) 821-0700 FAX (281) 821-6770 www.appmach.com

**PROPRIETARY INFORMATION**  
This document contains AMC, CORP. proprietary and confidential information. It is transmitted to the recipient for limited purposes only, and remains the property of AMC CORP. It may not be reproduced, in whole or in part, without the written consent of AMC, CORP., and must not be disclosed to persons not having need of such disclosure consistent with the purpose of the transmittal.

TITLE: **APPLIED MACHINERY CORP.**  
ASSEMBLY, AC 1600 DRAWWORKS  
GENERAL ARRANGEMENT

ENGINEER: D.L. FLOREN SCALE: 1=24 SHT. 1 OF 1  
USED ON: (5232) AC-1600 DWKS DRAWING NO: 604000 REV: A